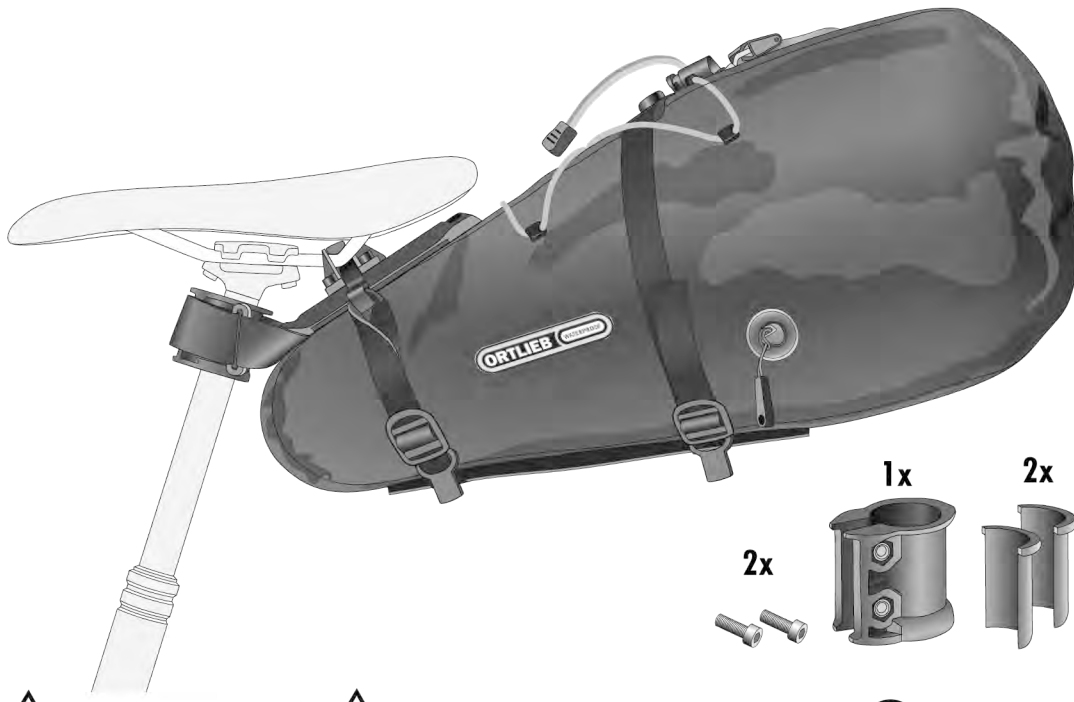
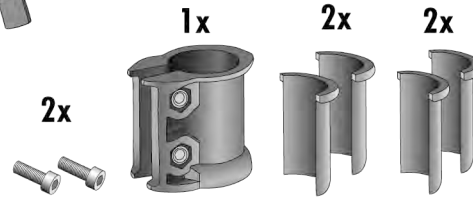


# SEAT-PACK QR

- DE MONTAGEANLEITUNG
- GB ASSEMBLY INSTRUCTIONS
- FR INSTRUCTIONS DE MONTAGE
- IT ISTRUZIONI DI MONTAGGIO
- NL MONTAGE HANDLEIDING
- DK MONTERINGSVEJLEDNING
- ES INSTRUCCIONES DE MONTAJE
- SE MONTERINGSANVISNING
- NO MONTERINGSANVISNING
- FI ASENNUSOHJEET
- PL INSTRUKCJA MONTAZU
- JP 装着方法

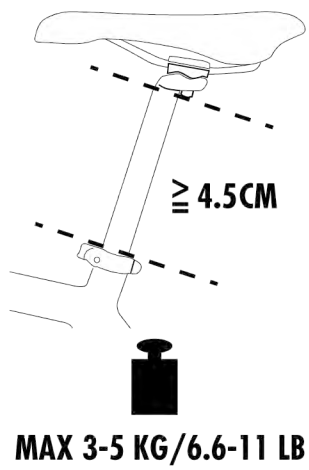


VIDEO

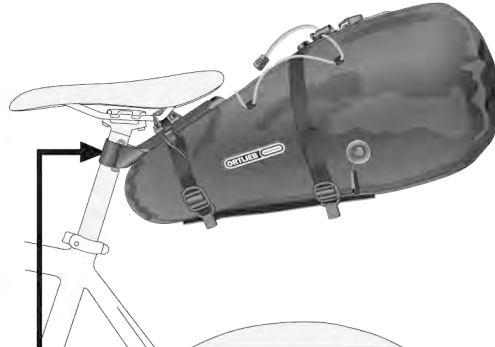


WITHOUT DROPPER POST

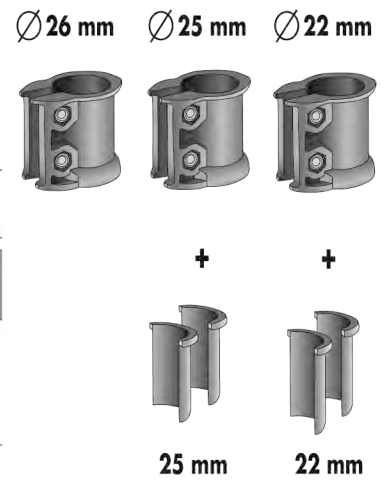
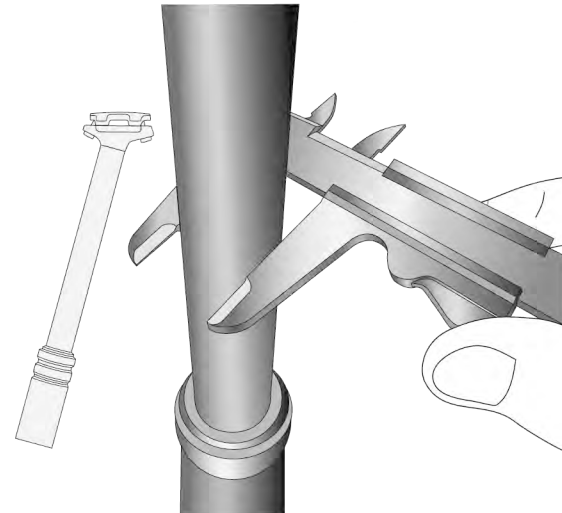
**1.1** ONLY FOR DROPPER POST (1.1 - 1.5)



NO CARBON

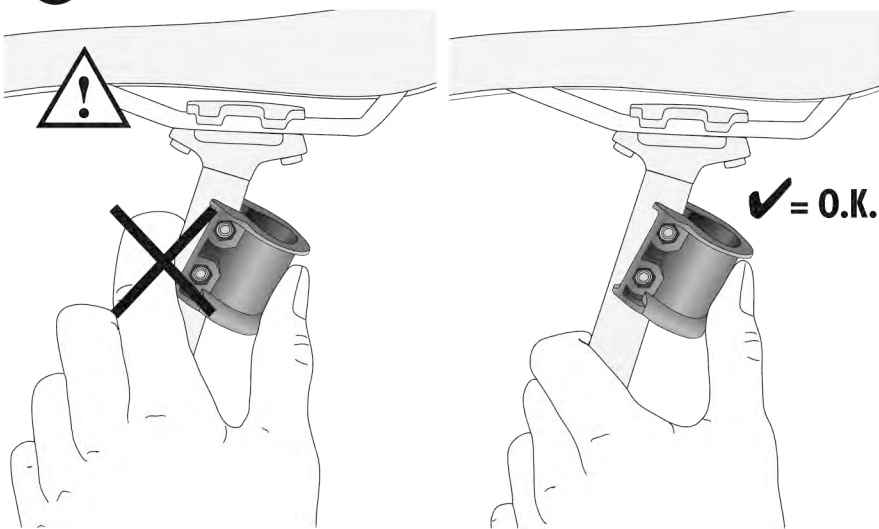


UM KRATZER ZU VERMEIDEN, BENUTZE RAHMENSCHUTZFOLIE AN DEN KONTAKTSTELLEN (nicht beinhaltet)  
TO AVOID SCRATCHES, USE ADHESIVE FRAME PROTECTION AT CONTACT POINTS (not included)

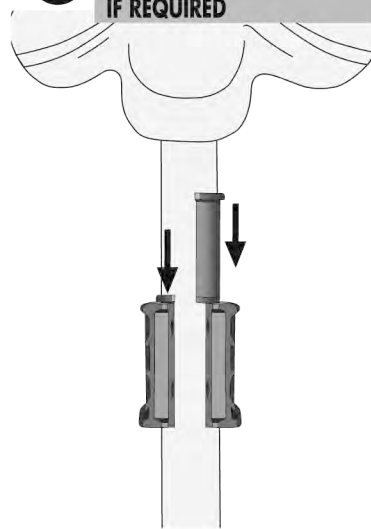


MAX 3-5 KG / 6.6-11 LB

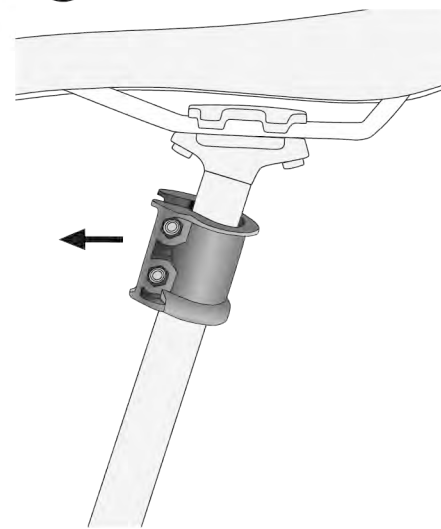
**1.2** PINCH POINT



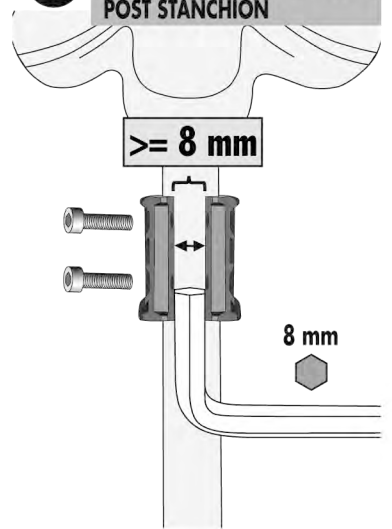
**1.3** INSTALL SPACER, IF REQUIRED



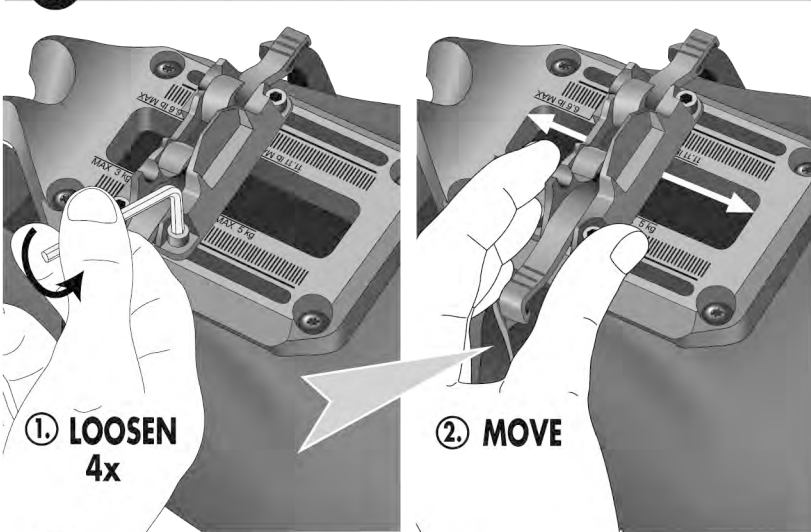
**1.4** ALIGN WITH DROPPER POST



**1.5** TIGHTEN CLAMP TO DROPPER POST STANCHION



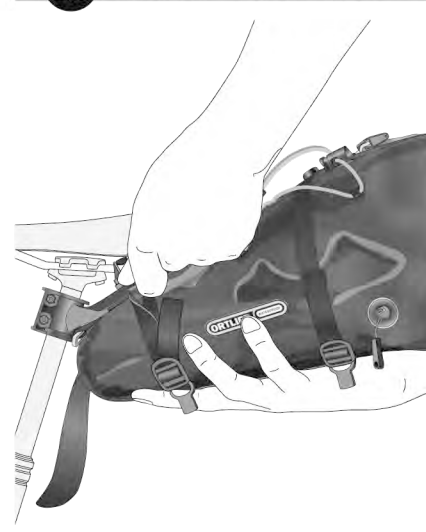
**2.1** LOOSEN SCREWS - ADJUST CLAMP



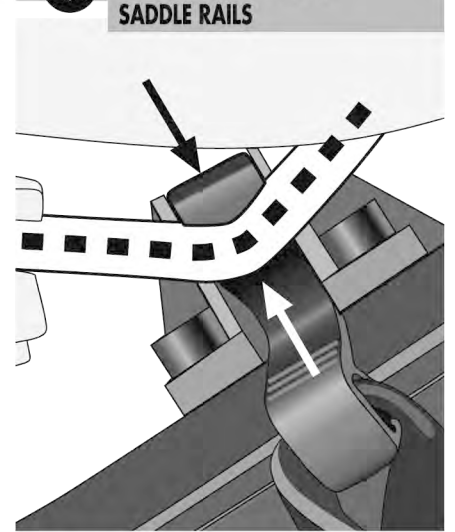
**2.2** ADJUST WEBBING TO LONGEST POSITION



**2.3** PRESS ON TO SADDLE RAILS



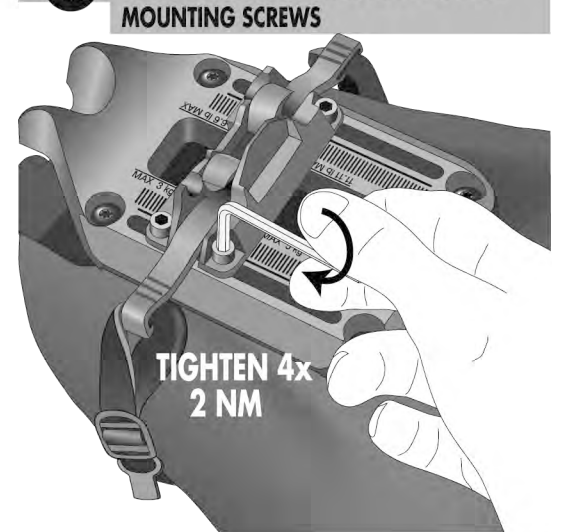
**2.4** HOOK ONTO BEND OF SADDLE RAILS



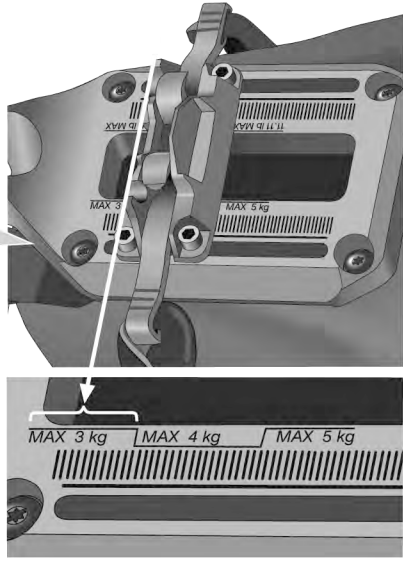
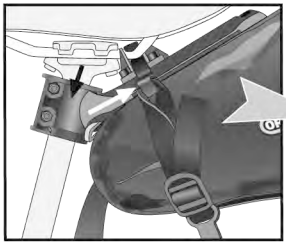
**2.5** ADJUST MOUNT TO OPTIMAL POSITION



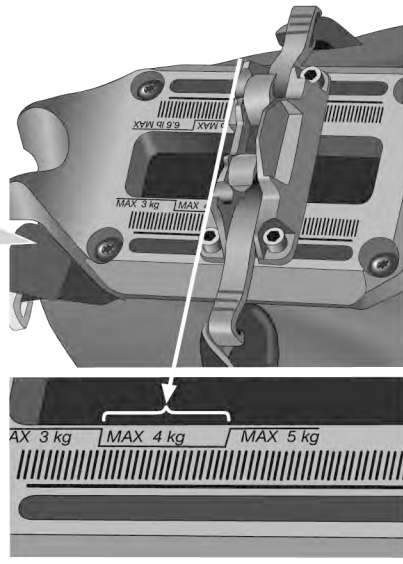
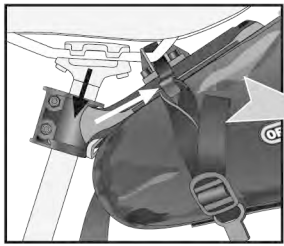
**2.6** CAREFULLY REMOVE BAG AND TIGHTEN MOUNTING SCREWS



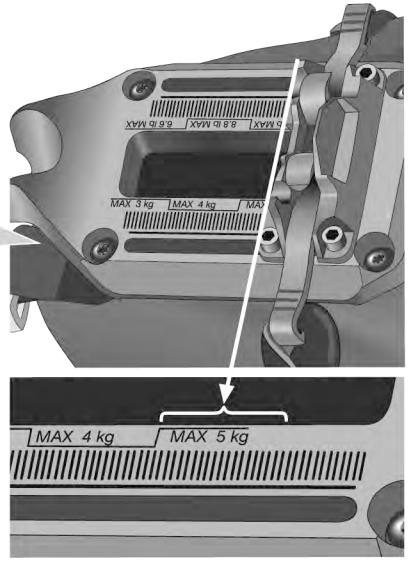
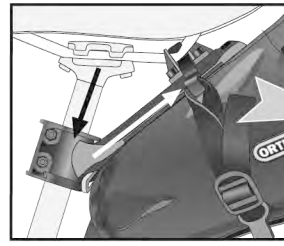
MAX. LOAD 3 KG



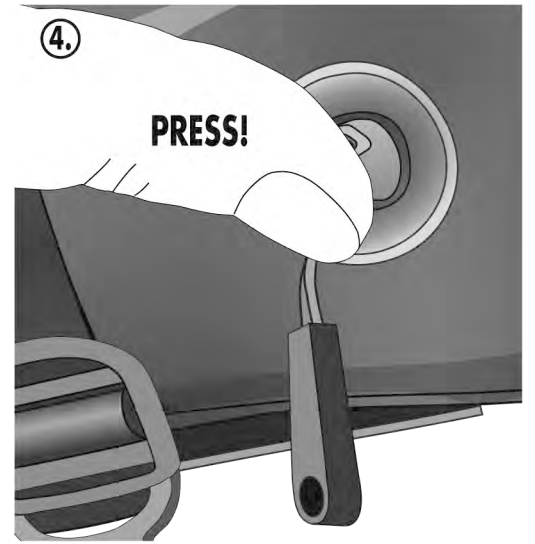
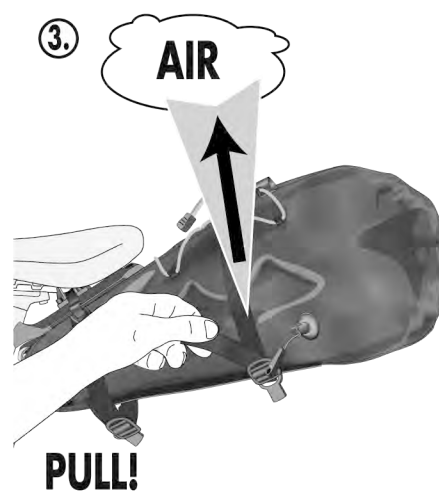
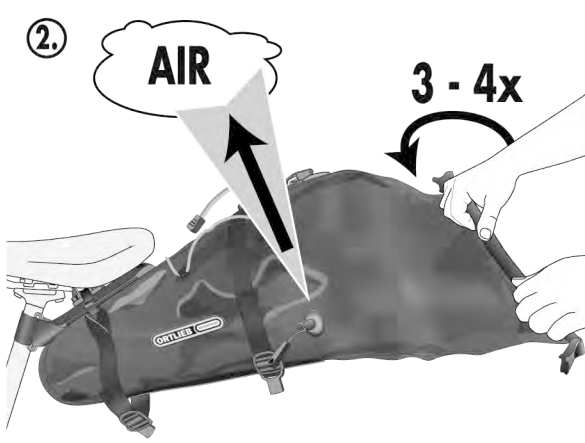
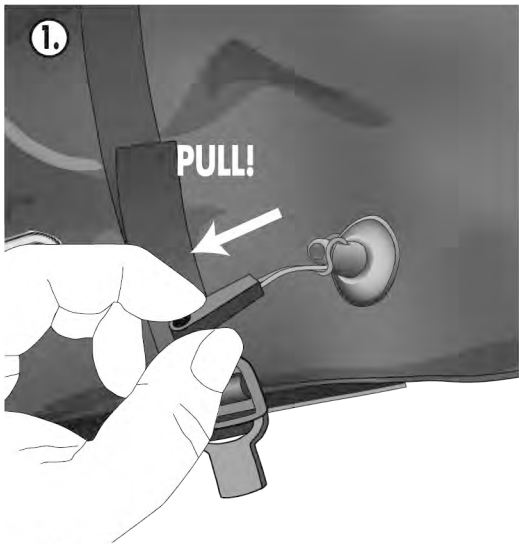
MAX. LOAD 4 KG



MAX. LOAD 5 KG



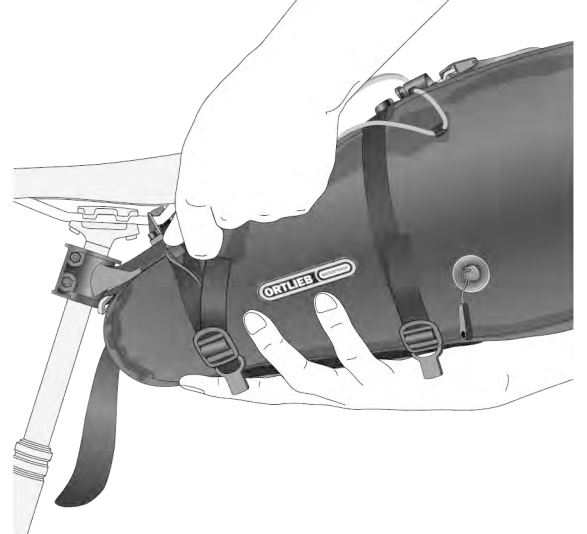
3.0



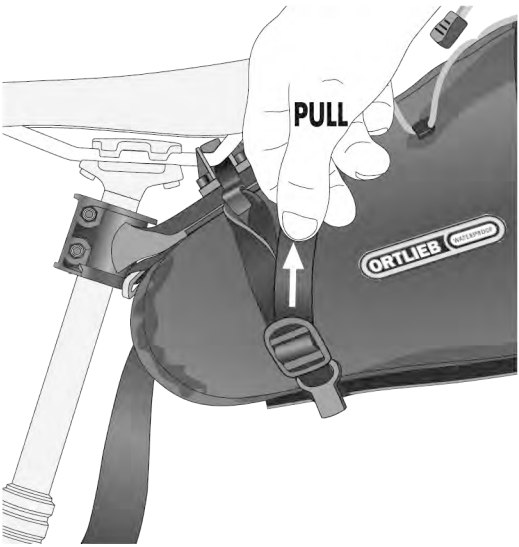
4.0



5.1



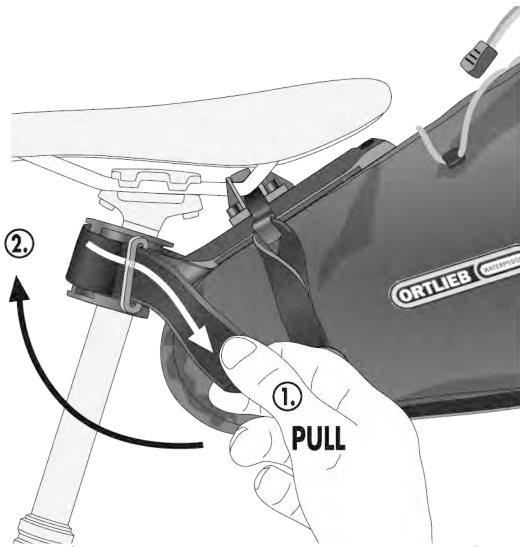
5.2 TIGHTEN COMPRESSION STRAPS



5.3



5.4



5.5 FOR STANDARD SEATPOST

